

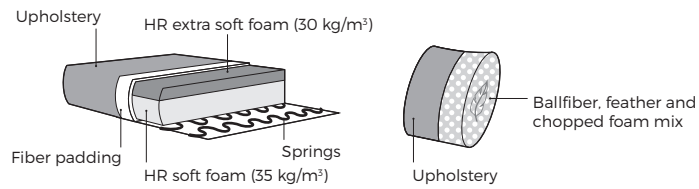
Alvar



Alvar



Comfort



1. Upholstery



* Leather covers may require more stitches than fabric covers.

2. Legs

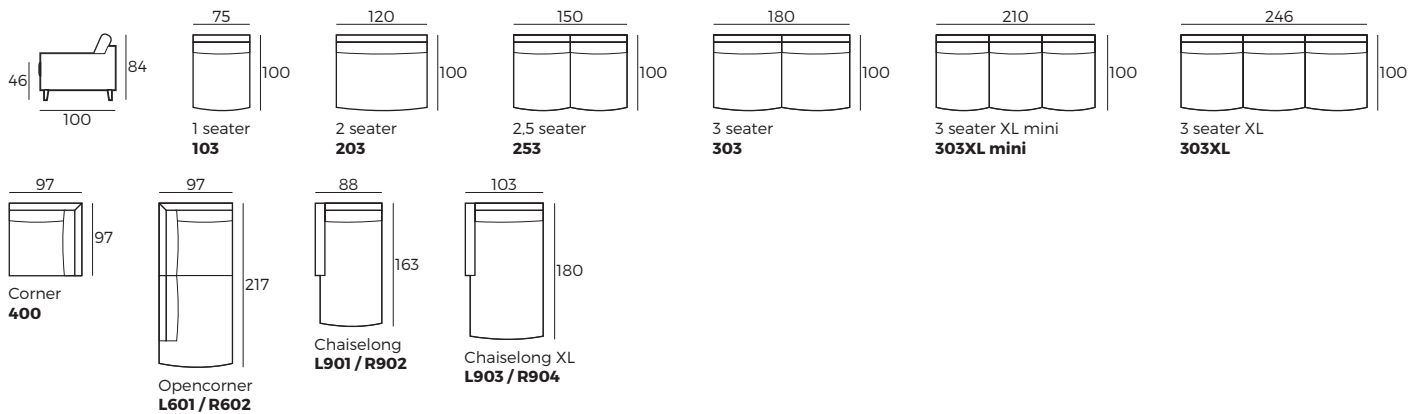


IMPORTANT:

Upholstered furniture is handmade using soft materials therefore measurements may vary up to +/- 5 cm.
Parts and sets shown in 2D drawings are left-sided. Parts and sets can be mirrored from left to right.

Single parts

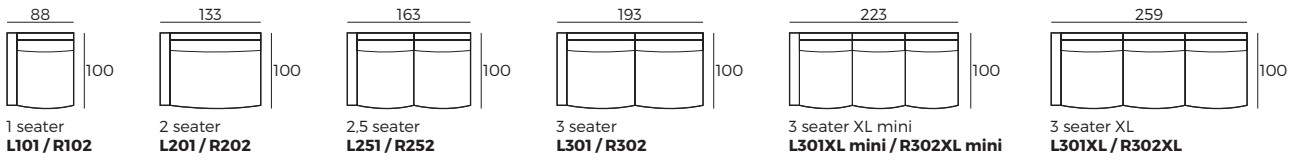
Scale 1:100



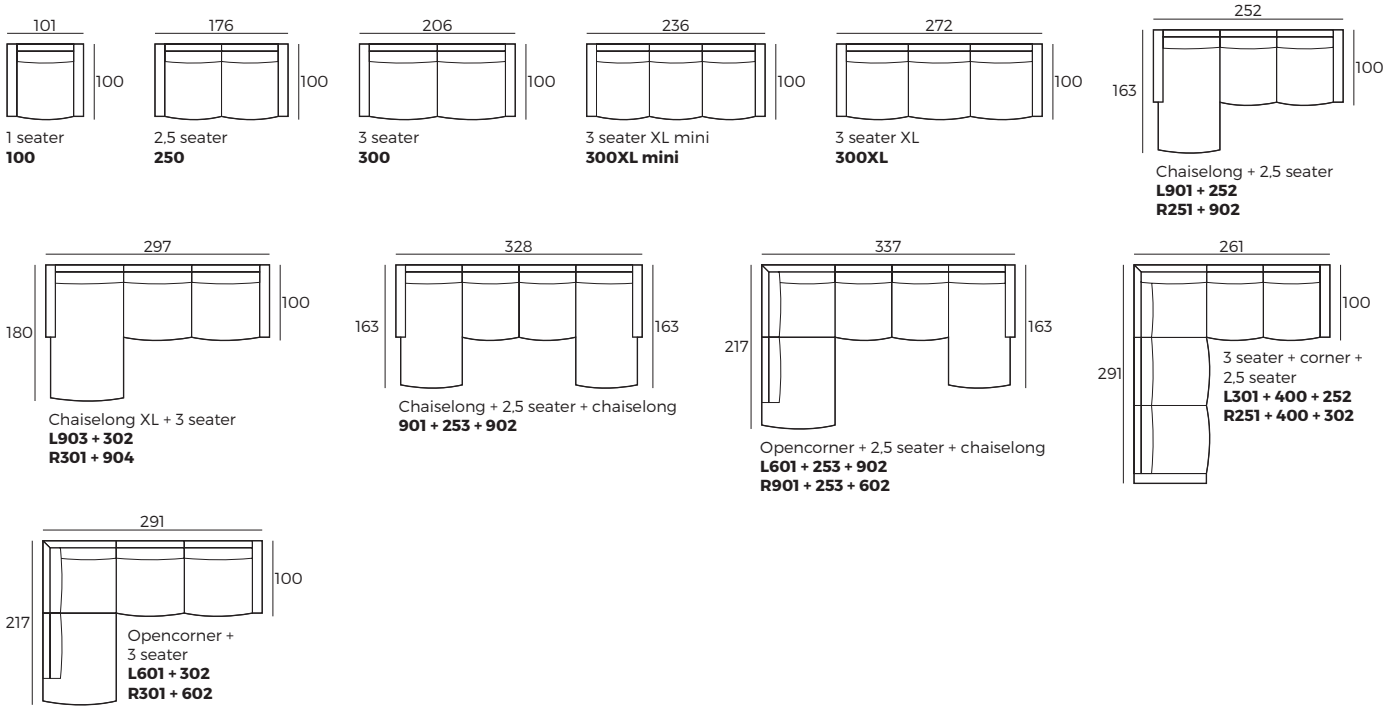
Alvar

Half sets

Scale 1:100



Sets



Accessories

